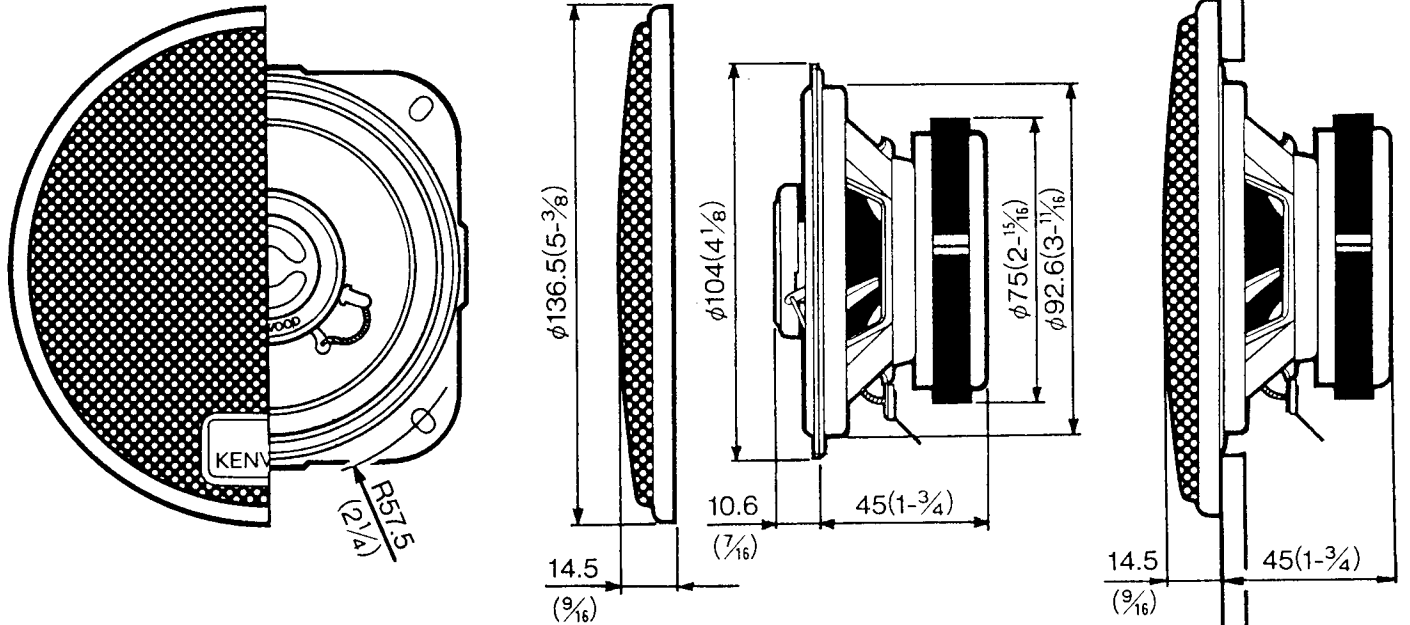


KFC-HQ100

SERVICE MANUAL

EXTERNAL VIEW



UNIT : mm (inch)

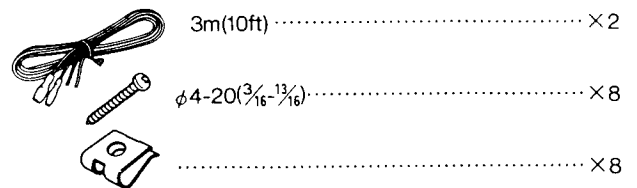
SPECIFICATIONS

Speakers

- Woofers 10cm (4in) P.P. Cone type
181g (6.4oz) Magnet
- Tweeter 2.5cm (1in) Balanced Dome type
- Peak Power 60 Watts
- Frequency Response 55Hz~22,000Hz
- Sensitivity 89dB/W at 1m
- Impedance 4 Ohms
- Weight Per Speaker 0.58kg (1lb 5oz) /Pc.

We follow a policy of advancements in development.
For this reason specifications may be changed without notice.

PARTS INCLUDED



PARTS LIST

* New parts
Parts without parts No. are not supplied.

Ref No.	New Parts	Parts No.	Description
	*	B06-0445-08	FRONT GRILLE
		B43-0868-08	BADGE SET
		B46-0100-20	WARRANTY CARD
	*	E30-5059-08	CORD SET
	*	F09-0993-08	PROTECTOR
		N99-1088-08	SCREW SET
	*	T15-0173-08	SPEAKER